



ZPE Wi-Fi 5 Access Point

ZAP-5220 ZPE Access Point for Enterprise & Branch

The ZAP-5220 brings maximum value to high-density Wi-Fi environments.

This small, ceiling-mounted access point can be tucked away neatly, all while its two 2x2:2 MU-MIMO radios deliver data at up to 1.2 Gbps to multiple clients. The ZAP-5220 provides enterprise-grade Wi-Fi 5 indoors via dual radio, dual-band 802.11ac Wave 2 technology. Additionally, the access point is ideal for value-added applications thanks to its integrated Bluetooth Low Energy (BLE) radio. Enable indoor location tracking, iBeacon, and other location-based services for retail analytics

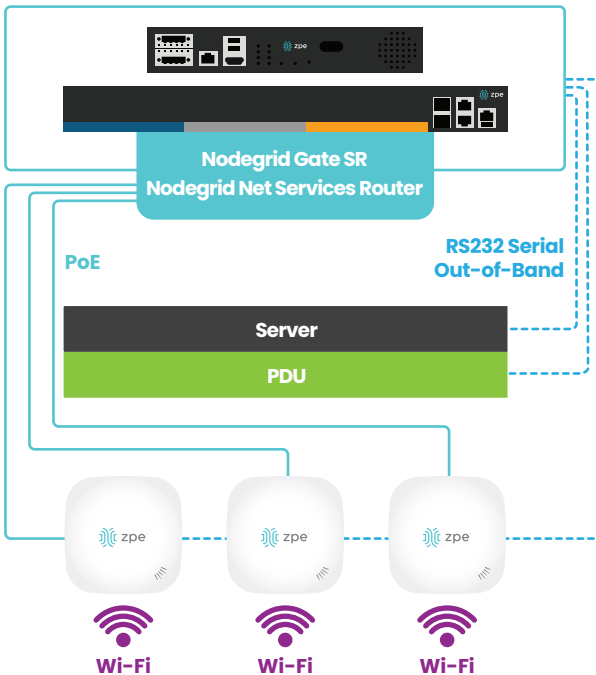
Designed for retail and other edge applications, this access point complements your SD-Branch solution when you use it with Nodegrid SR devices and ZPE Cloud.

- Designate one AP with a golden configuration
- Easily replicate configurations to 1000's of APs in your organization
- Adopt NetDevOps for your hybrid infrastructure
- Use Nodegrid SR devices as your on-branch controller
- Centralize and automate management via ZPE Cloud

ZAP-5220 Application

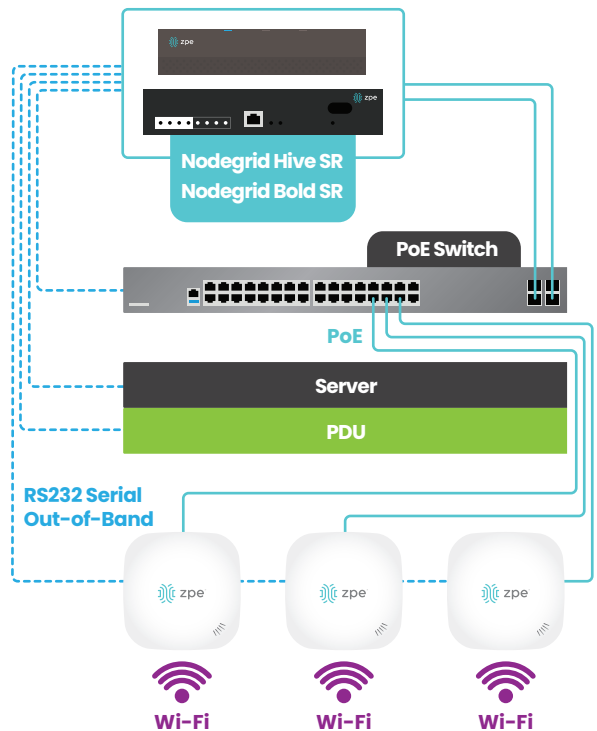
with PoE via Nodegrid SR Hardware*

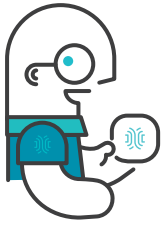
* Select Nodegrid SR solutions provide PoE



ZAP-5220 Application

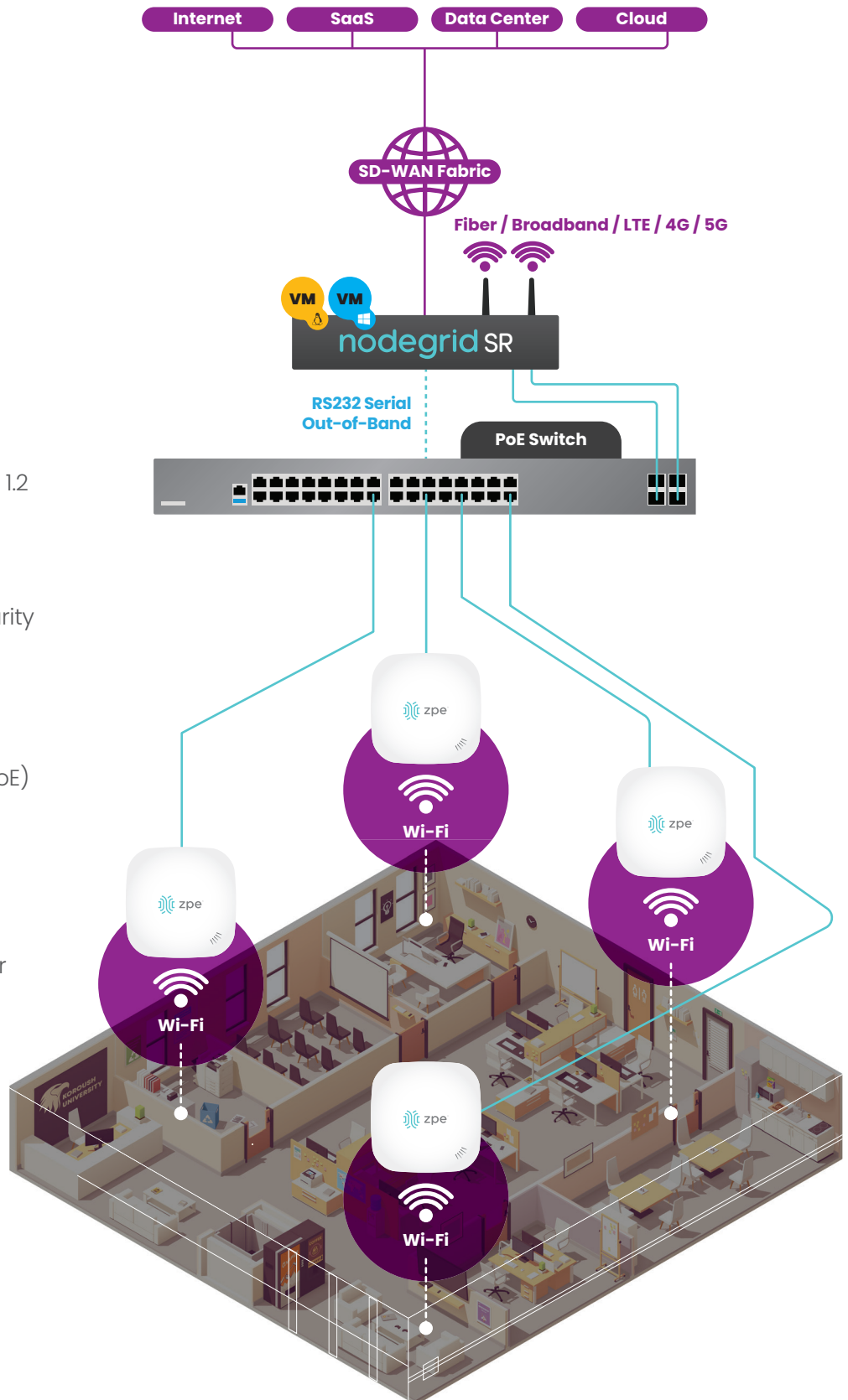
with PoE via PoE Switch





Product Highlights

- IEEE 802.11ac Wave 2 indoor Wi-Fi access point
- Concurrent dual-radio dual-band 2.4 & 5 GHz
- 2x2 MU-MIMO supporting up to 1.2 Gbps data rate
- Support up to 32 ESSIDs
- Enterprise-grade wireless security
- Wall and ceiling mountable
- High density Wi-Fi deployment
- 802.3af Power over Ethernet (PoE)
- Gigabit LAN Ethernet port
- Bluetooth Low Energy (BLE)
- Autonomous operation - no need for separate controller
- Fast roaming
- Each AP can cover 2000 to 3000 sq.ft. (200 to 300 sq.m.)



Technical Specifications

Physical

- Power
 - DC Input: 12V / 1.0A (Power adapter optional)
 - PoE: 802.3af compliant (PoE injector optional)
- Dimensions - 14.7 cm (L) x 14.7 cm (W) x 3.5 cm (H)
- Weight - 0.36 g (0.78 lbs)

Interfaces

- Uplink: 1 x 10/100/1000Base-T Ethernet, Auto MDIX, RJ-45 with 802.3af PoE
- LAN: 1 x 10/100/1000Base-T Ethernet, Auto MDIX, RJ-45
- USB: 1 x USB 2.0 Port

LED Indicator

- Power
- ETH1 / PoE
- ETH2
- 2G-WiFi
- 5G-WiFi

Environmental Conditions

- Operating Temperature: 0°C (32°F) to 50°C (122°F)
- Operating Humidity: 5% to 95% non-condensing

Power Consumption

- 9.0W max.

Antenna

- Type: 3 x Built-in PIFA (2 x 2.4 GHz & 5 GHz, 1 x Bluetooth Low Energy)
- Gain: 3 dBi (2.4 GHz), 5 dBi (5 GHz), 3 dBi (BLE)

Mounting

- Wall/Ceiling mount (Mounting kit included)
- Anti-theft: 1 Kensington Lock hole on the metal part of housing

Performance

- Physical Data Rate
 - Up to 300 Mbps (2.4 GHz)
 - Up to 867 Mbps (5 GHz)
- Concurrent Devices/Users
 - Up to 256 (128 on 2.4 GHz, 128 on 5 GHz)

Quality of Services

- Wireless QoS (802.11e/WMM)
- DSCP (802.1p)
- Airtime Fairness
- Band Steering
- Multicast to Unicast Conversion
- Optimal Client Filtering

Security

- 802.11i
- WEP
- WPA/WPA2 Mixed (TKIP/AES Mixed)
- WPA2-Personal (AES)
- WPA2-Enterprise (AES)
- 32 VLANs in 802.1Q (VLAN ID 1-4000)
- Station Isolation
- DHCP Snooping
- Layer-2 Firewall

Receiver Sensitivity

Modulation Type	Data Rate	Receiver Sensitivity
802.11b	1 Mbps	-95
	11 Mbps	-86
802.11a	6 Mbps	-87
	54 Mbps	-70
802.11g	6 Mbps	-89
	54 Mbps	-72
802.11n (HT20)	MCS0	-88
	MCS7	-67
	MCS8	-88
	MCS15	-67
802.11n (HT40)	MCS0	-85
	MCS7	-66
	MCS8	-85
802.11n (VHT 20)	MCS0	-86
	MCS8	-64
	MCS15	-66
802.11n (VHT 40)	MCS0	-83
	MCS9	-61
802.11n (VHT 80)	MCS0	-81
	MCS9	-57

Wi-Fi Specifications

- Standards
 - 802.11a/b/g/n/ac ; Wave 2
 - Concurrent dual-band 2.4 & 5 GHz
- Supported Data Rates
 - 802.11b: 1, 2, 5.5, 11 Mbps
 - 802.11a/g: 6, 9, 12, 18, 24, 36, 48, 54 Mbps
 - 802.11n: 6.5 - 144 Mbps (20 MHz)
 - 802.11n: 13.5 - 300 Mbps (40 MHz)
 - 802.11ac: 6.5 - 173.4 Mbps (20 MHz)
 - 802.11ac: 13.5 - 400 Mbps (40 MHz)
 - 802.11ac: 29.3 - 866.6 Mbps (80 MHz)
- Radio Chains
 - 2x2
- Spatial Streams
 - 2; MU-MIMO support
- Output Power
 - 2.4 GHz: Up to 19 dBm
 - 5 GHz: Up to 19 dBm
- Channelization
 - 20 MHz
 - 40 MHz
 - 80 MHz
- Frequency Band
 - 2.412 - 2.472 GHz
 - 5.180 - 5.825 GHz
- Operating Channels
 - 2.4 GHz: 1 - 11 (US), 1 - 13 (Europe), 1 - 13 (Japan)
 - 5 GHz: 36 - 165 (US), 36 - 140 (Europe), 36 - 140 (Japan)
- ESSIDs
 - Up to 16 per radio (32 total)
- Certifications
 - FCC (United States), CE (Europe)



Ordering Information

SKU	Product Information
ZAP-5220	Indoor wireless access point - dual-radio dual-band 802.11ac Wave2 Wi-Fi 5 technology with 2x2x2 multi-user beamforming. Backward compatible with 802.11 a/b/g/n/ac. internal antennas, 2x 10/100/1000 RJ45 port, BT/BLE, 1x Type A USB, 1x RS-232 RJ45 Serial Port. Ceiling/wall mount kit included. For power use with Nodegrid SR PoE switch ports, ZPE PoE switch or order 802.3af PoE injector or supplied AC adapter.