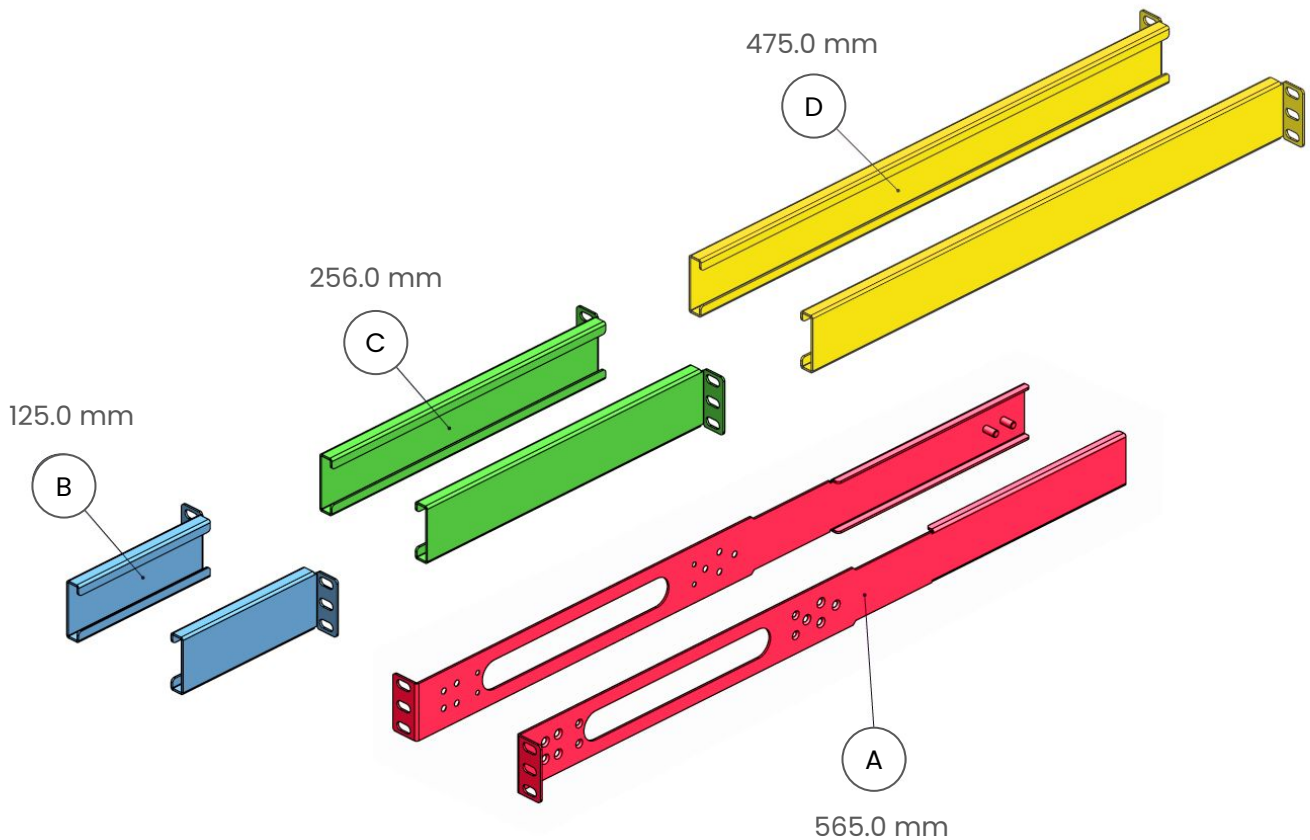


# Fixed Rail Mounting Kit For 4-Post Racks

Nodegrid Serial Consoles and Nodegrid Net Services Router – Fixed Rail, Rackmount Kit for 4-Post Racks

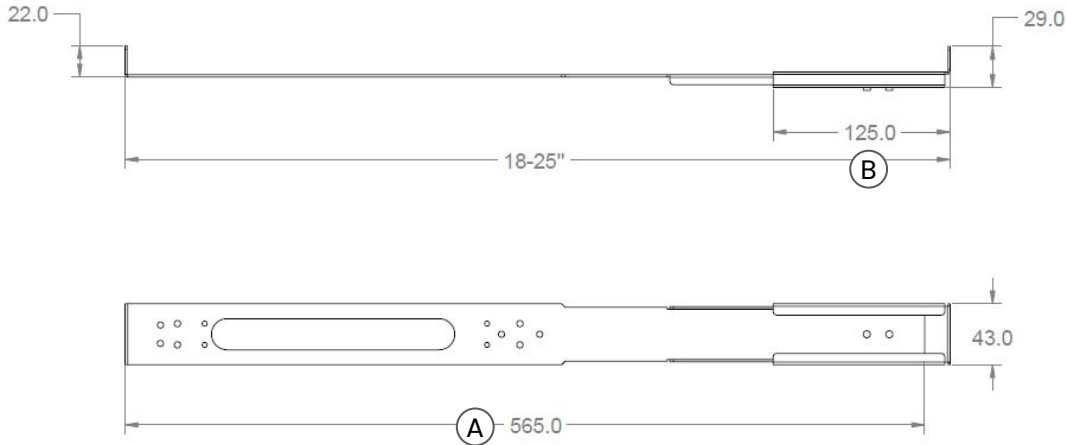
Securely mount the Nodegrid Serial Console and Net SR units to a 4 post rack. Adjustable slider accommodates rack depths of 18-39.5"

**Note** - This kit replaces the Rack Mount Ears that are provided with each unit. This Rail Kit is sold separately.



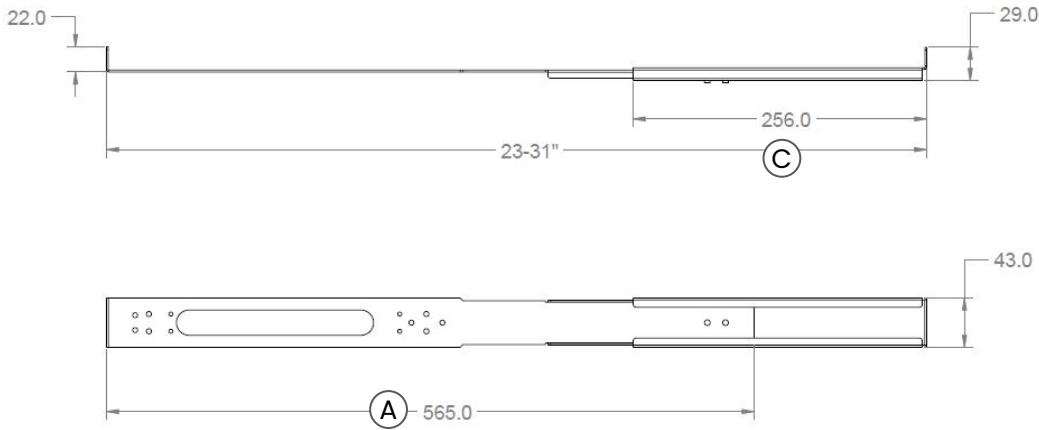
### Kit - Red and Blue (A and B)

- For Nodegrid Serial Console - 18-25"
- For Nodegrid Serial Console Plus and Net SR - 20-25"



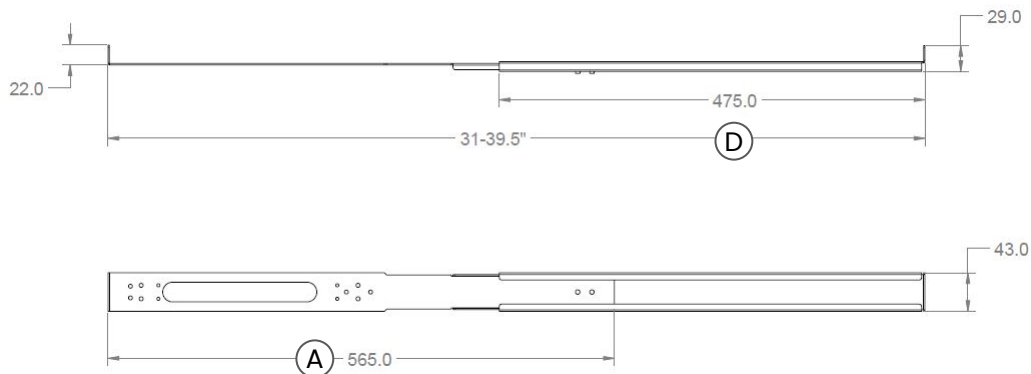
### Kit - Red and Green (A and C)

- For Nodegrid Serial Console - 23-31"
- For Nodegrid Serial Console Plus and Net SR - 25-31"



### Kit - Red and Yellow (A and D)

- For Nodegrid Serial Console - 31-39.5"
- For Nodegrid Serial Console Plus and Net SR - 32-39.5"





Step 1



Step 2



Step 3

## Installation Instructions

- **Step 1** - Install Rail (A) onto your Nodegrid device with the supplied M3 -or- M4 mounting screws.
- **Step 2** - Install the desired length rear mounting bracket (B, C, D) to the rack
- **Step 3** - Mount the Nodegrid Device with Rail (A) by sliding into rail (B, C, D), then securing the mounting ears directly to the rack.

## Ordering Information

Channel SKU	Description
<b>RAIL-180-395</b>	Pair of Fixed Rails, 18" to 39.5" flexible length for NSC (18-25" with A+B, 23-31" with A+C, 31-39.5" with A+D) for NSCP and NSR (20-25" with A+B, 25-31" with A+C, 32-39.5" with A+D), 8 pieces included